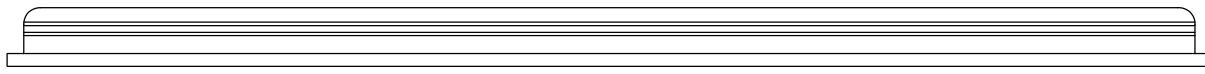
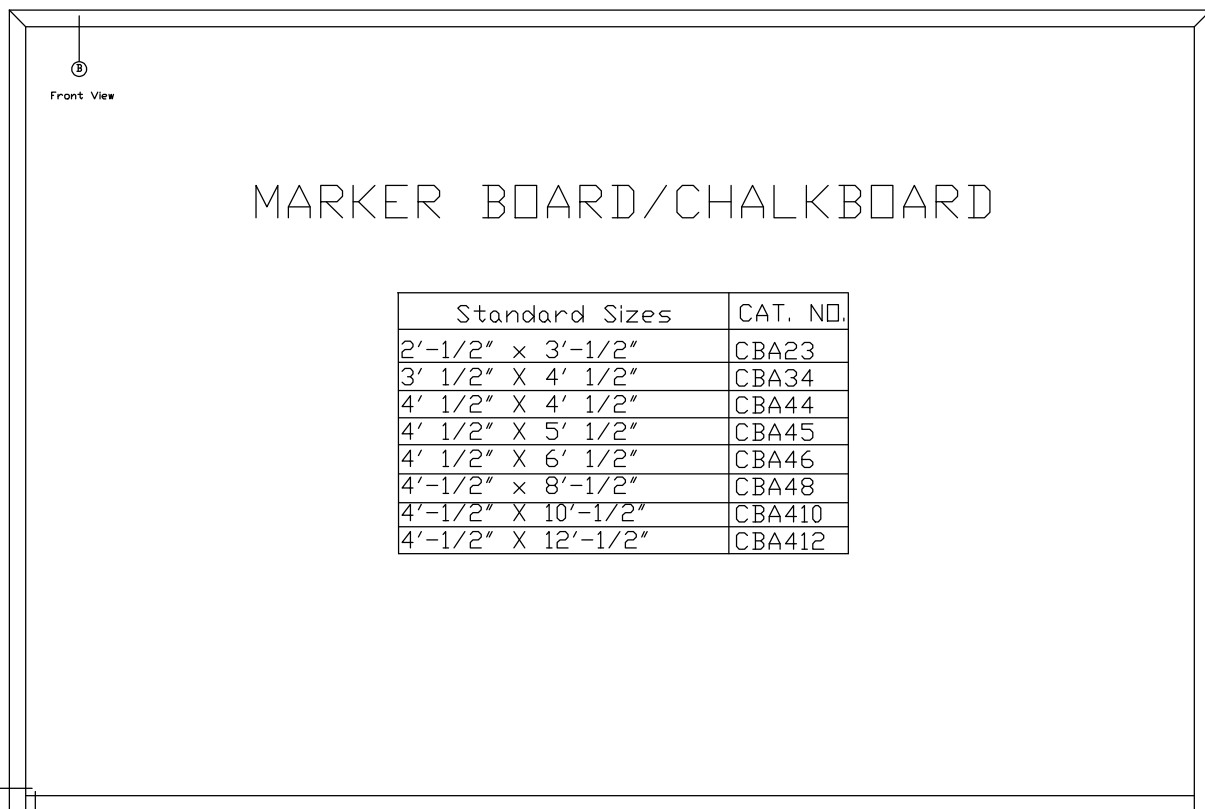


8 7 6 5 4 3 2 1

REVISIONS				
ZONE	REV	DESCRIPTION	DATE	APPROVED

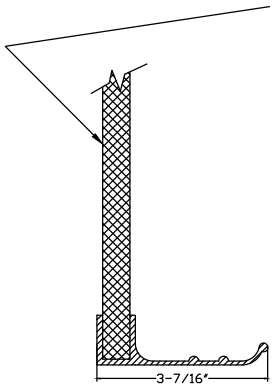
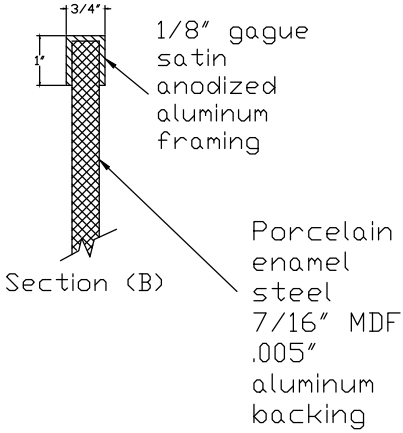


Top View



MARKER BOARD/CHALKBOARD

Standard Sizes	CAT. NO.
2'-1/2" x 3'-1/2"	CBA23
3' 1/2" X 4' 1/2"	CBA34
4' 1/2" X 4' 1/2"	CBA44
4' 1/2" X 5' 1/2"	CBA45
4' 1/2" X 6' 1/2"	CBA46
4'-1/2" x 8'-1/2"	CBA48
4'-1/2" X 10'-1/2"	CBA410
4'-1/2" X 12'-1/2"	CBA412



Front View

Front View

D

D

C

C

B

B

A

A

8 7 6 5 4 3 2 1

		CBA STYLE MARKER AND CHALK BOARDS		
		CBA BOARD WITH WHITE PORCELAIN ENAMEL MARKERBOARD FRAMED WITH 1" FACE 1/8" GAUGE CLEAR ANODIZED ALUM. TRIM FACTORY PREFRAMED.		
316 N BROADWAY	SIZE	FORM NO.	DWG NO.	REV
WIND GAP PA 18091	SCALE		CBA.DWG	
			SHEET	